



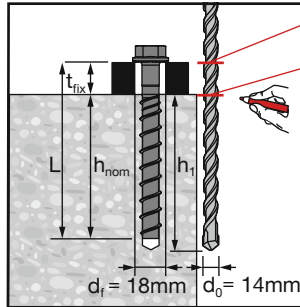
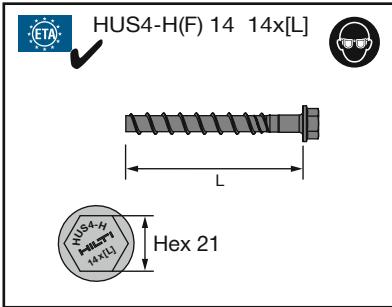
HUS4-H(F) 14



2310563-2025.06.04

| | | |
|--|---|---|
| <p>① CE 25 Hilti AG LI-9494 Schaan Hilti Werke 2873-CPR-201-72 ETA-20/0867 Notified body 2873 EAD 330232-01-0601 Product for fixing to- or connecting/supporting of building structures www.hilti.group</p> | <p>② CE 25 Hilti AG, LI-9494 Schaan Hilti Werke 2873-CPR-201-73 ETA-18/1160 Notified body 2873 EAD 332795-01-0601 Product for fixing to- or connecting/supporting of building structures www.hilti.group</p> | <p>③ CE 22 Hilti AG, LI-9494 Schaan Hilti Werke 2873-CPR-201-78 ETA-21/0969 Notified body 2873 EAD 332347-00-0601 Product for fixing to- or connecting/supporting of building structures www.hilti.group</p> |
|--|---|---|

| | ① | ② | ③ | | ① | ② | ③ |
|---------------|---|---|---|----------------|---|---|---|
| HUS4-H 14×75 | ✓ | | | HUS4-HF 14×75 | ✓ | | |
| HUS4-H 14×90 | ✓ | | | HUS4-HF 14×100 | ✓ | | |
| HUS4-H 14×100 | ✓ | | ✓ | HUS4-HF 14×120 | ✓ | | |
| HUS4-H 14×120 | ✓ | | ✓ | HUS4-HF 14×150 | ✓ | ✓ | |
| HUS4-H 14×130 | ✓ | ✓ | ✓ | | | | |
| HUS4-H 14×150 | ✓ | ✓ | ✓ | | | | |



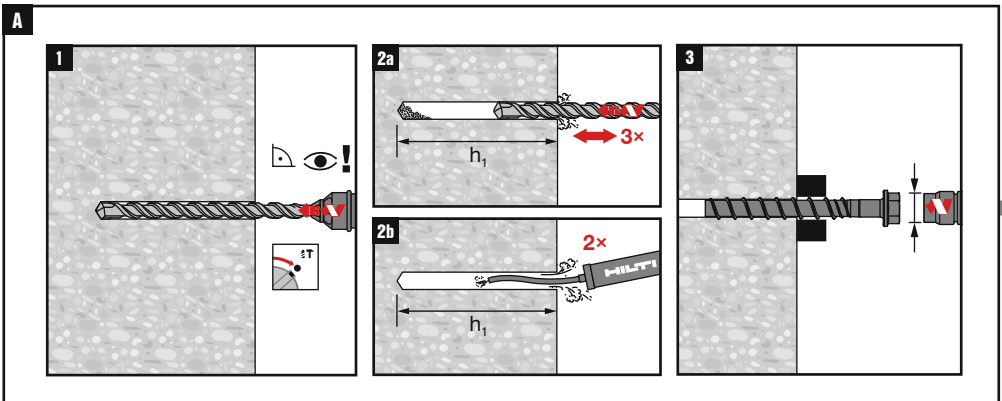
! $\geq h_1 + t_{fix}$

! $\geq h_1$

| | h_{nom} [mm] |
|-------|----------------|
| ETA ✓ | ≥ 65 |

| | |
|-----------------------------------|---|
| SIW 6AT-A22 1/2", SIW 4AT-22 1/2" | ✗ |
| SIW 6-22 1/2" | ✓ |
| SIW 22T-A 1/2", SIW 22T-A 3/4" | ✓ |
| SIW 9-A22 3/4" | ✓ |
| SIW 8-22 1/2" | ✓ |
| SIW 10-22 3/4" | ✓ |

| | | |
|--|--------------------------------|-----------|
| | $h_1 = h_{nom} + 38\text{ mm}$ | 2a |
| | $h_1 = h_{nom} + 10\text{ mm}$ | 2b |



4 optional

4a

max. 10 mm
max. 2x

4b

h_{nom}
max. 10 mm

| | | |
|--|-------------------|--|
| | h_{nom} [mm] | |
| | < 60 | |
| | ≥ 60 | |

5

B

1

DIBt - aBG
ETA

2

NURON

3a

HRS 14
HRS 16
HRS 12

3b

HRS 14
HRS 16
HRS 12

4a

4b

HUS4-H(F) 14